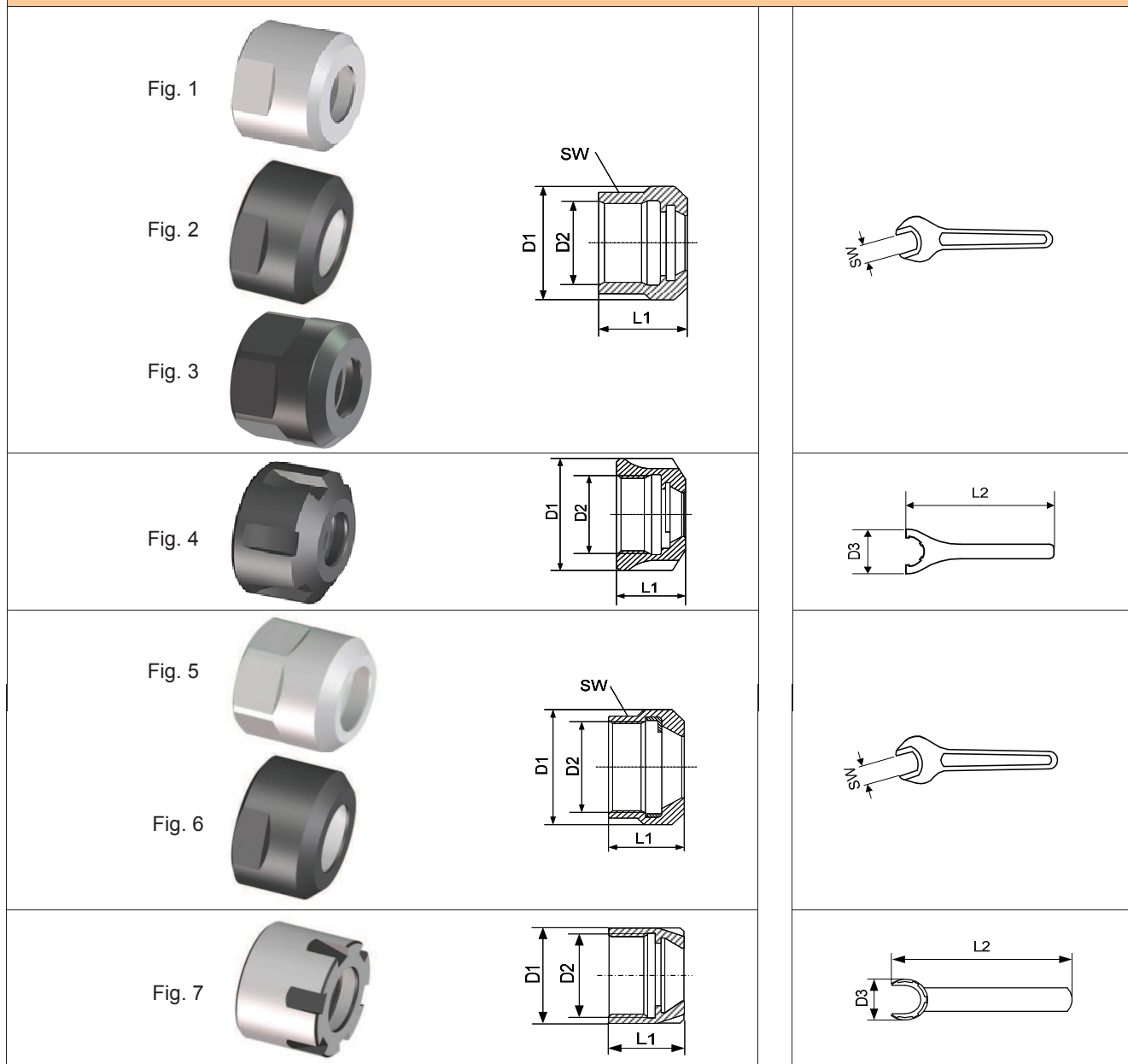


Ecrous - Muttern - Nuts EX; EXP; EXM



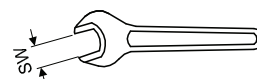
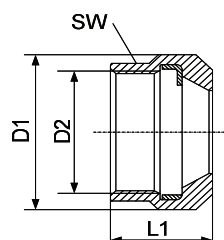
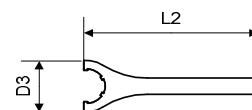
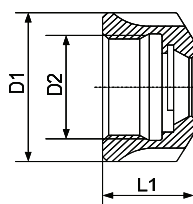
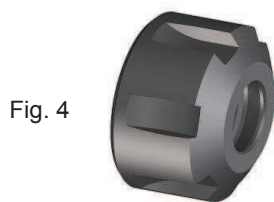
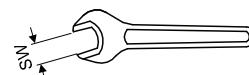
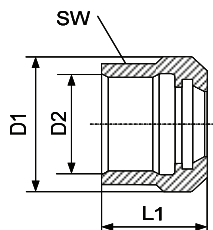
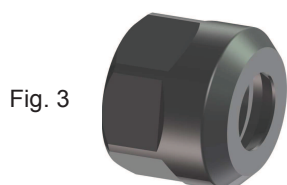
Gr.	Ecrou - Mutter - Nut					
	Art.	D1	D2	L1	SW	Fig.
EX 9	61-9730	15	M11x0.75	11.5	13	1
EX 12	61-12730	19	M14x0.75	14	17	3
EX 16	61-16730	32	M22x1.5	18	-	4
EX 20	61-20730	35	M25x1.5	19.5	-	4
EX 25	61-25730	42	M32x1.5	20.5	-	4
EX 32	61-32730	50	M40x1.5	23	-	4
EX 40	61-40730	63	M50x1.5	26	-	4
EXP 9	61-9710	13.5	M10x0.75	11.5	12	5
EXP 12	61-12710	16.7	M13x0.75	14	15	3
EXP 16	61-16710	25	M20x1	18	22	2
EXP 20	61-20710	30.5	M24x1	18.5	27	6
EXM 11	61-11772	16	M13x0.75	12.1	-	7
EXM 16	61-16772	22	M19x1	18	-	7
EXM 20	61-20772	28	M24x1	19.5	-	7
EXM 25	61-25772	35	M30x1	20.5	-	7

Art.	Clé - Schlüssel - Spanner	
	D3	L2
-	-	-
-	-	-
61-16800	55	163
61-20800	60	183
61-25800	70	203
61-32800	80	253
61-40800	95	283
-	-	-
-	-	-
-	-	-
61-11812	16.8	90
61-16812	22.5	110
61-20812	29	120
61-25812	36	130

Ecrous - Muttern - Nuts EXA; EXPA; EXF

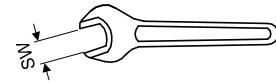
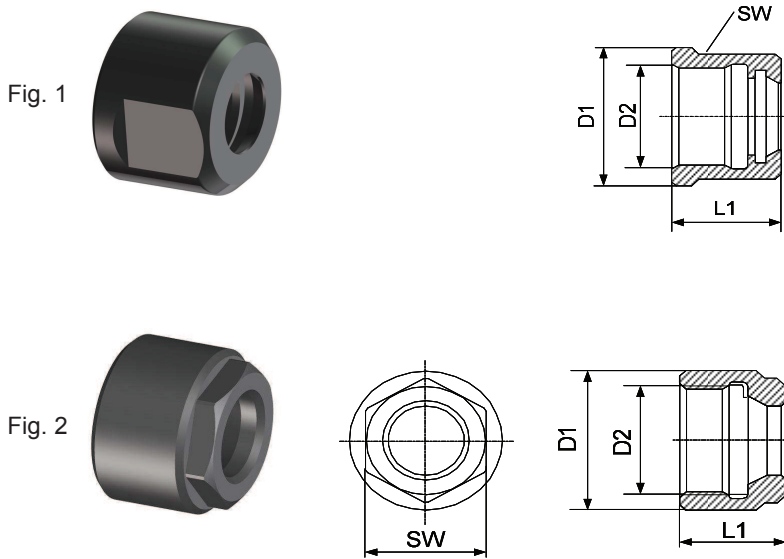
Gr.	Ecrou Mutter Nut						Bague étanche Dichtscheibe Sealed disc	Clé Schlüssel Spanner		
	Art.	D1	D2	L1	SW	Fig.	Art.	Art.	D3	L2
EXA 12	61-12790	19	M14x0.75	19.5	17	1	61-12791	-	-	-
EXA 16	61-16790	32	M22x1.5	22.5	-	1	61-16791	61-16800	55	163
EXA 20	61-20790	35	M25x1.5	24	-	1	61-20791	61-20800	60	183
EXA 25	61-25790	42	M32x1.5	25	-	1	61-25791	61-25800	70	203
EXA 32	61-32790	50	M40x1.5	27.5	-	1	61-32791	61-32800	80	253
EXA 40	61-40790	63	M50x1.5	30.5	-	1	61-40791	61-40800	95	283
EXPA 16	61-16795	25	M20x1	23.3	22	2	61-16791	-	-	-
EXPA 20	61-20795	30.5	M24x1	24	27	2	61-20791	-	-	-
EXF 16	61-16777	-	M24x1	8.1	-	3	-	61-16813	25	118
EXF 20	61-20777	-	M28x1.5	10.9	-	3	-	61-20813	28	123
EXF 25	61-25777	-	M32x1.5	12.5	-	3	-	61-25813	30.5	139
EXF 32	61-32777	-	M40x1.5	14	-	3	-	61-32813	42	182

Ecrous équilibrés - Ausgewuchtete Muttern - Balanced nuts EXE; EXPE



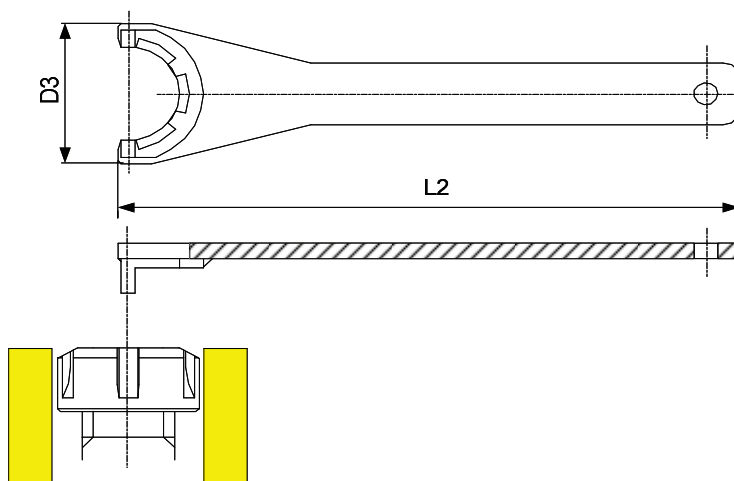
Gr.	Ecrou - Mutter - Nut						Clé - Schlüssel - Spanner		
	Art.	D1	D2	L1	SW	Fig.	Art.	D3	L2
EXE 9	61-9720	15	M11x0.75	11.5	13	1	-	-	-
EXE 12	61-12720	19	M14x0.75	14	17	3	-	-	-
EXE 16	61-16720	32	M22x1.5	18	-	4	61-16800	55	163
EXE 20	61-20720	35	M25x1.5	19.5	-	4	61-20800	60	183
EXE 25	61-25720	42	M32x1.5	20.5	-	4	61-25800	70	203
EXE 32	61-32720	50	M40x1.5	23	-	4	61-32800	80	253
EXE 40	61-40720	63	M50x1.5	26	-	4	61-40800	95	283
EXPE 9	61-9721	13.5	M10x0.75	11.5	12	5	-	-	-
EXPE 12	61-12721	16.7	M13x0.75	14	15	3	-	-	-
EXPE 16	61-16721	25	M20x1	18	22	2	-	-	-
EXPE 20	61-20721	30.5	M24x1	18.5	27	6	-	-	-

Ecrou - Mutter - Nut EX TORNOS



Gr.	Ecrou Mutter Nut						Clé Schlüssel Spanner		
	Art.	D1	D2	L1	SW	Fig.	Art.	D3	L2
EX 12	61-12735	19	M14x0.75	13	17	1	-	-	-
EX 16	61-16769	28	M22x1.25	19.5	22	2	-	-	-

Clé - Schlüssel - Spanner



Gr.	Clé Schlüssel Spanner		
	Art.	D3	L2
EX 20	61-20802	45	183