

[www.LNS-europe.com](http://www.LNS-europe.com)

## ***ALPHA 552***

**Bar feeder for fixed or sliding headstock automatic lathes**

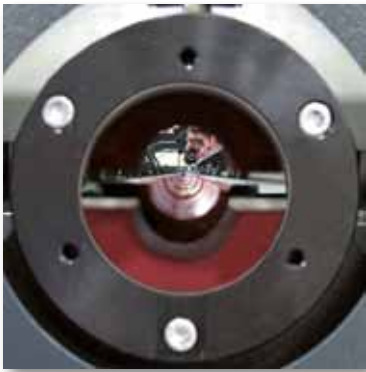
Diameter range: 5 - 52 mm



LNS SA  
CH-2534 Orvin  
[www.LNS-europe.com](http://www.LNS-europe.com)



# ALPHA 552



## Reliable and straightforward use

The Alpha 552 is an efficient and cost effective bar feeder which ensures the maximum productivity for feeding bars with diameters of 5 to 52 mm. It is especially suited to the production of medium and large batches on fixed or sliding headstocks.

## User-friendly HMI

The remote control, equipped with a touch-screen, ensures the interaction between the bar feeder and the lathe. It allows the operator to manage all of the functions with a user-friendly navigation menu available in several languages.



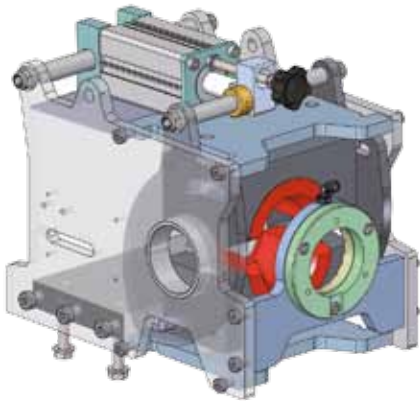
## Quick and easy diameter changeover

The Alpha 552 is equipped with a side load rack fitted with loading fingers controlled by a central, manually operated system. A scale with three positions provides a visual reference for rapid and precise adjustments.

The guiding system is made up of pushers and guiding elements. In the case of a full change of diameter, all these elements are easily and rapidly replaced without any tools. This keeps downtime to a minimum.

- 3 minutes for partial changeover
- 10 minutes for complete diameter changeover





### Excellent guiding performance

The hydrostatic two-position front rest guarantees the perfect guidance of the bars. The pneumatically actuated opening and closing of the front rest is mechanically locked providing safe and secure guiding of the bar when in rotation and opens to the pusher size to ensure guiding when plunging into the spindle.

The automatic remnant retraction device, suitable to the full range of diameters, performs a control of the ejection to ensure the completion of the operation. Once the bar remnant is disposed into the dedicated tray, the loading of a new bar can be safely performed.

### 3S Synchronization

For applications on sliding headstock lathes, the 3S synchronization system from LNS enables the anticipation of bar movements. The servo motor recognizes the movements of the sliding headstock to which the 3S synchronization is directly connected. This provides a key level of assurance for preventing the buckling of the bars at high movement speeds.

LNS also provides telescopic tubes together with spindle liners in order to guarantee an optimum level of guiding precision.



### Increased stability

The Alpha 552 is designed with a reinforced front stand which supports the key components providing maximum stability and to prevent vibrations.

The Alpha 552 has a z-axis retraction system which allows the bar feeder to be moved back 470 mm from the machine spindle. This feature allows easier access for routine maintenance reducing downtime.



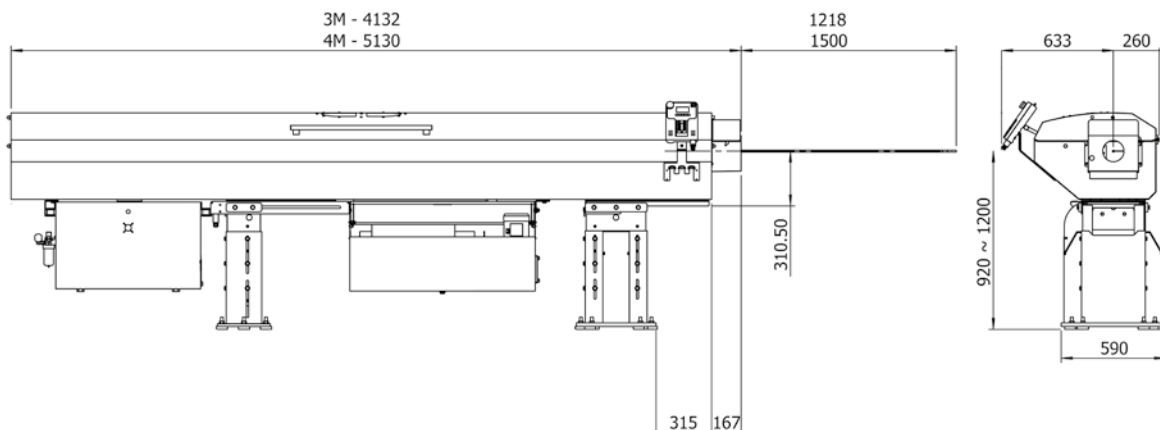


# ALPHA 552

## Technical specifications

Diameter	5-52 mm
Bar length	3200 mm / 4200 mm
Loading system	Side load rack
Loading capacity	300 mm
Loading side	Front / rear
Heastock type	Fixed / sliding
Z-axis retraction system	470 mm
Max. remnant length	450 mm
Partial changeover	3 min (in the same guiding elements)
Total changeover	10 min (for all guiding elements)
Front rest	2-position front rest, pneumatic
Bar selection	Manual
Motor	Servo
Drive	Chain
Guiding	Hydrostatic / bearings
Oil ISO 100	80 Lt

## Floor plan (mm)



## Your «One-Stop-Shop» for machine-tool peripherals

LNS provides a full range of bar feeders, chip conveyors, coolant management systems and air filtration systems which is second to none on the market. We are known in the industry for the solid expertise we have gained over several decades in an exceptionally wide range of applications, our excellent customer service and our sound technical support. This support is ensured by highly qualified technicians who are available at key locations throughout Europe.



LNS SA  
CH-2534 Orvin  
[www.LNS-europe.com](http://www.LNS-europe.com)

Tel +41 (0)32 358 02 00  
Fax +41 (0)32 358 02 01  
[sales@LNS-europe.com](mailto:sales@LNS-europe.com)